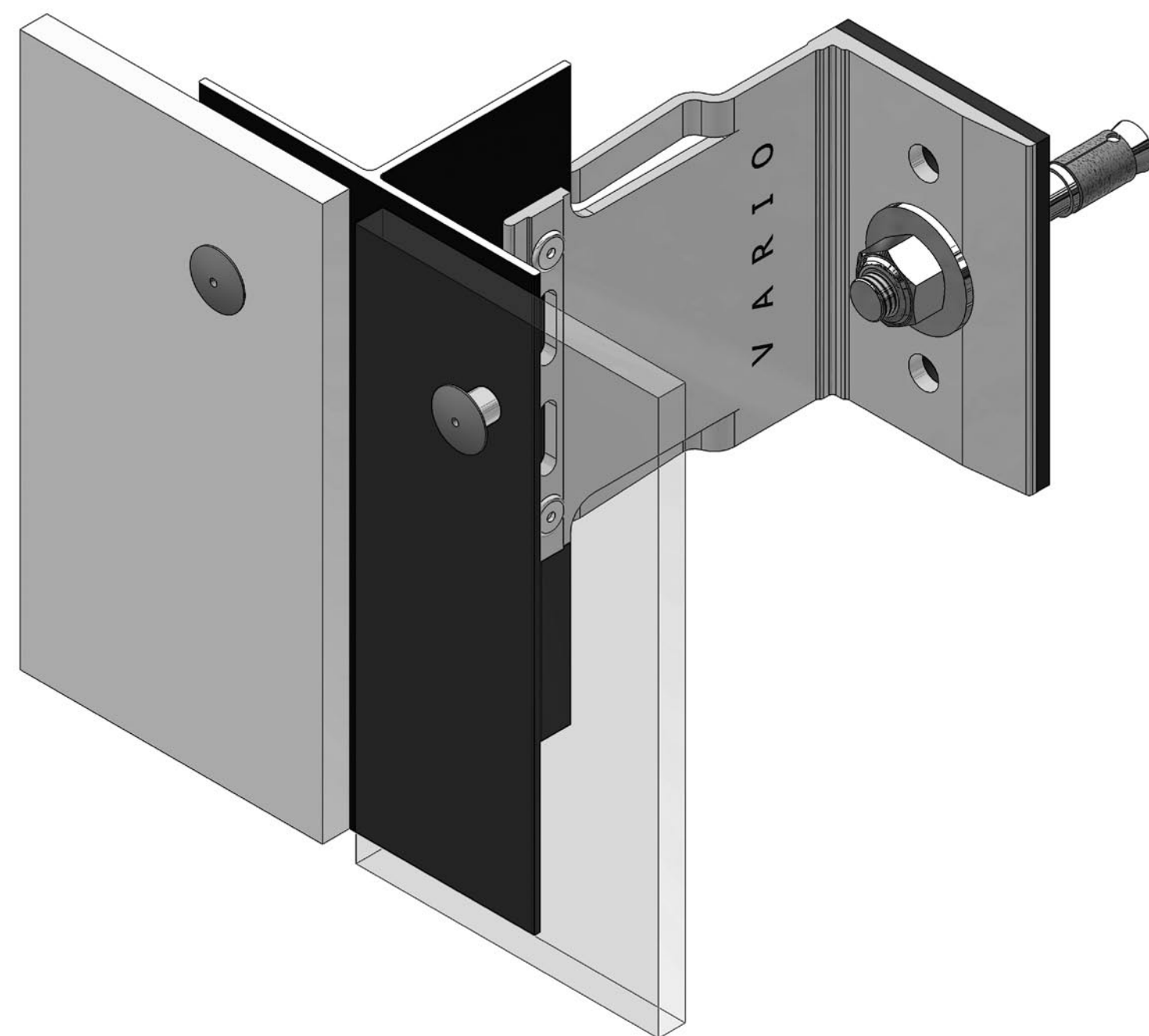
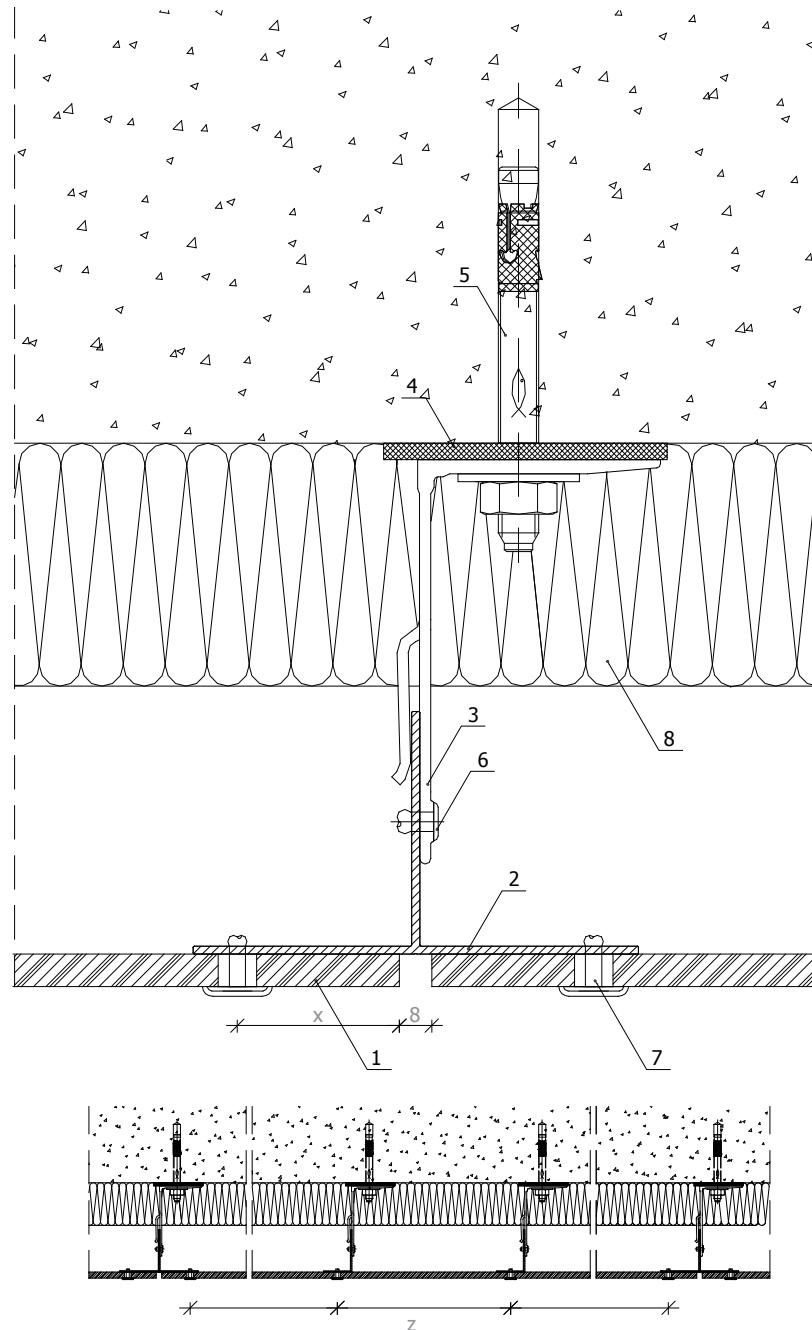


VENTILATED  
FAÇADE SYSTEM  
FOR MOUNTING  
FIBROCEMENT,  
HPL PANELS AND  
AQUAPANEL WITH  
VISIBLE FASTENING  
ELEMENTS



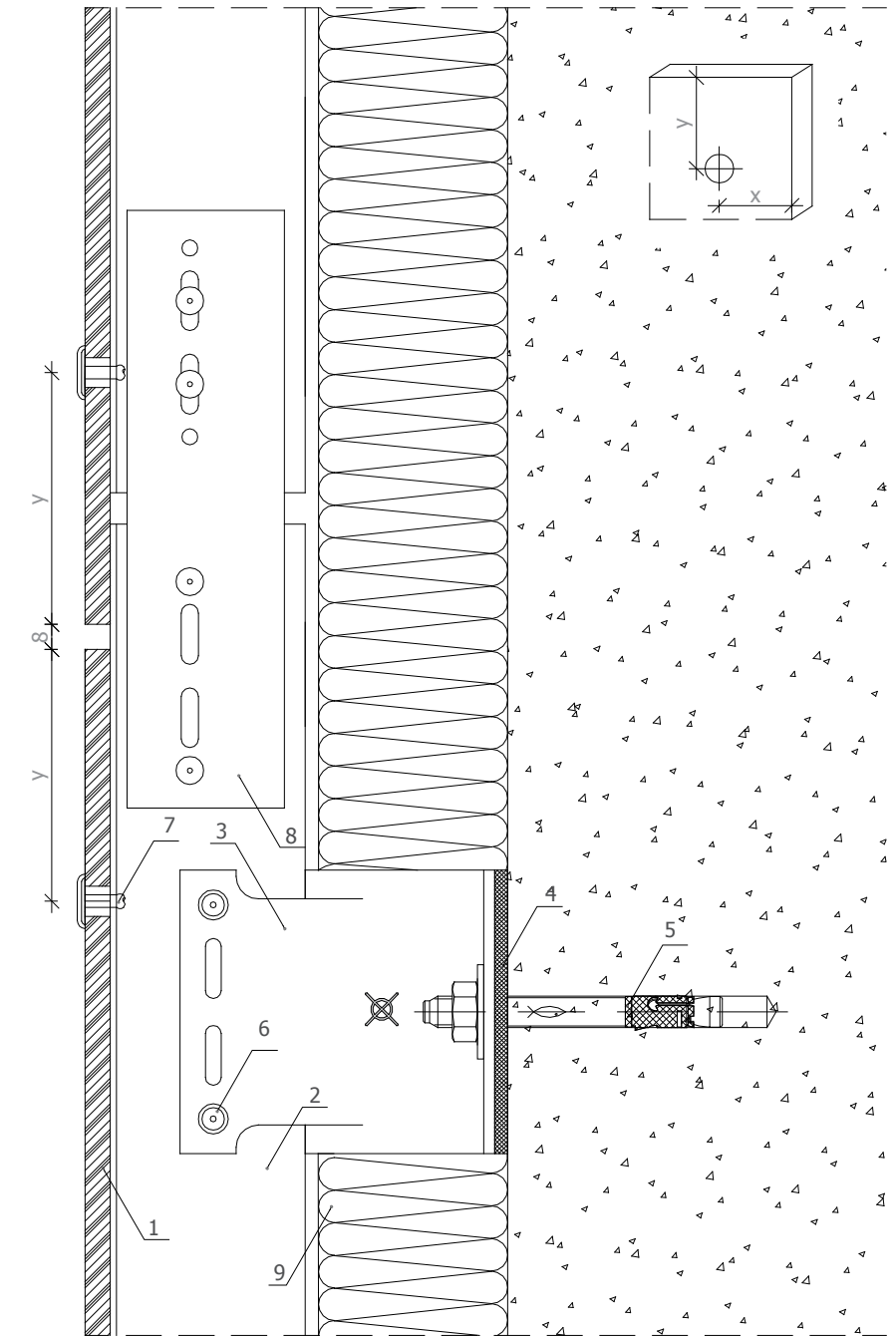
## detail 1- fibrocement, HPL panels and aquapanel



1. fibrocement, HPL panels and aquapanel
2. main profile
3. fixing bracket 100mm
4. thermo-insulation pad
5. anchor
6. rivet - 4.8x12
7. rivet - 4.0x18
8. thermal insulation with black veil

1. fibrocement, HPL panels and aquapanel
2. main profile
3. fixing bracket 100mm
4. thermo-insulation pad
5. anchor
6. rivet - 4.8x12
7. rivet - 4.0x18
8. joint profile
9. thermal insulation with black veil

## detail 2- fibrocement, HPL panels and aquapanel



03/2010

\*The dimensions "x" and "y" are defined from the producer of the façade material.

\*The cladding material should be mounted in accordance with the instructions for fixed and flexible supports.

The fasteners are determined by the manufacturer of the cladding material.

For cladding material with horizontal dimension longer than 650mm, medial L profiles should be used.

The distance z is determined by the manufacturer of the cladding material.

The engineering design of this product is an intellectual property of ETEM Building Systems.

Copying and distributing any parts of the product is a violation of the copyright law.

03/2010

\*The dimensions "x" and "y" are defined by the producer of the façade material.

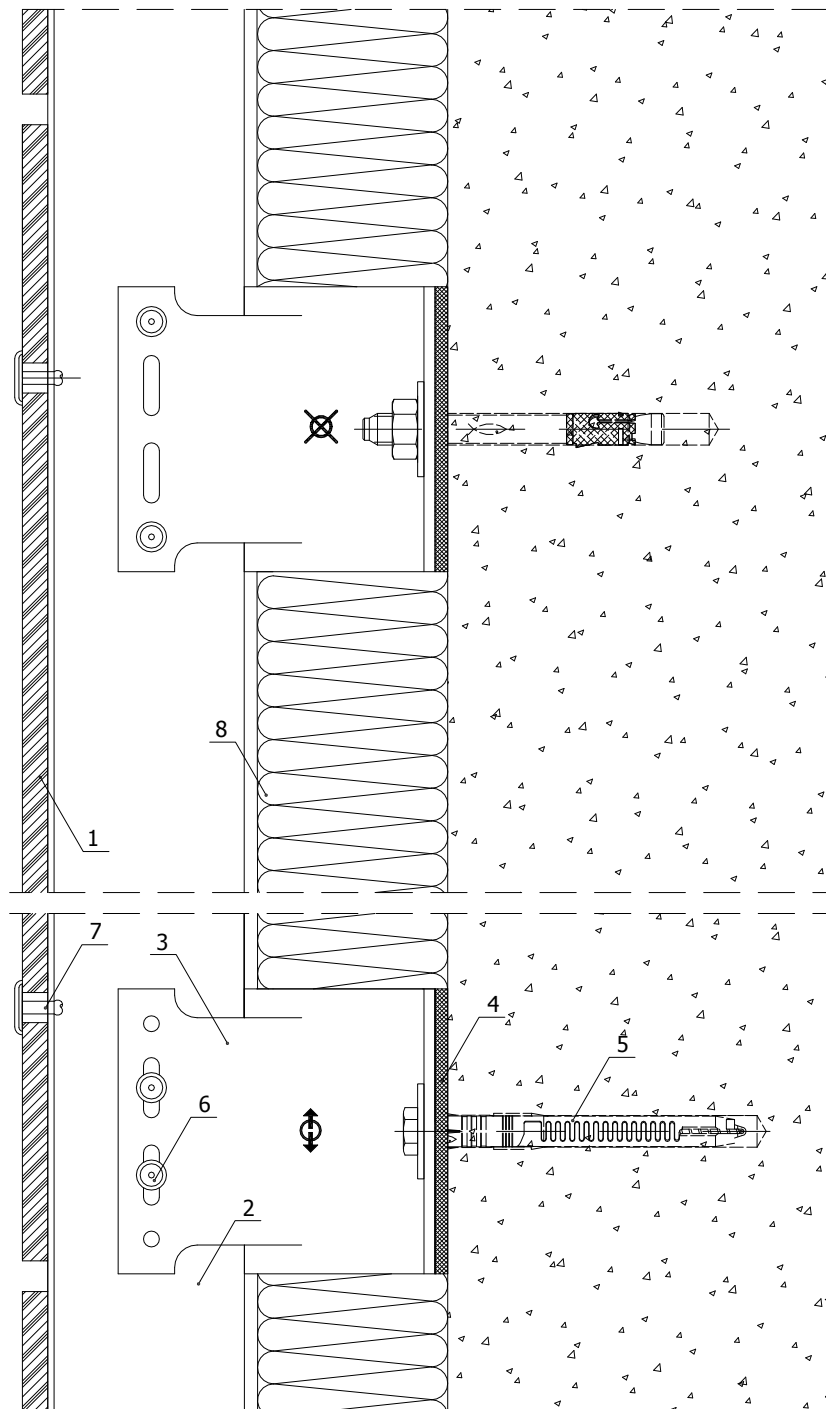
\*The cladding material should be mounted in accordance with the instructions for fixed and flexible supports.

The fasteners are determined by the manufacturer of the cladding material.

The engineering design of this product is an intellectual property of ETEM Building Systems.

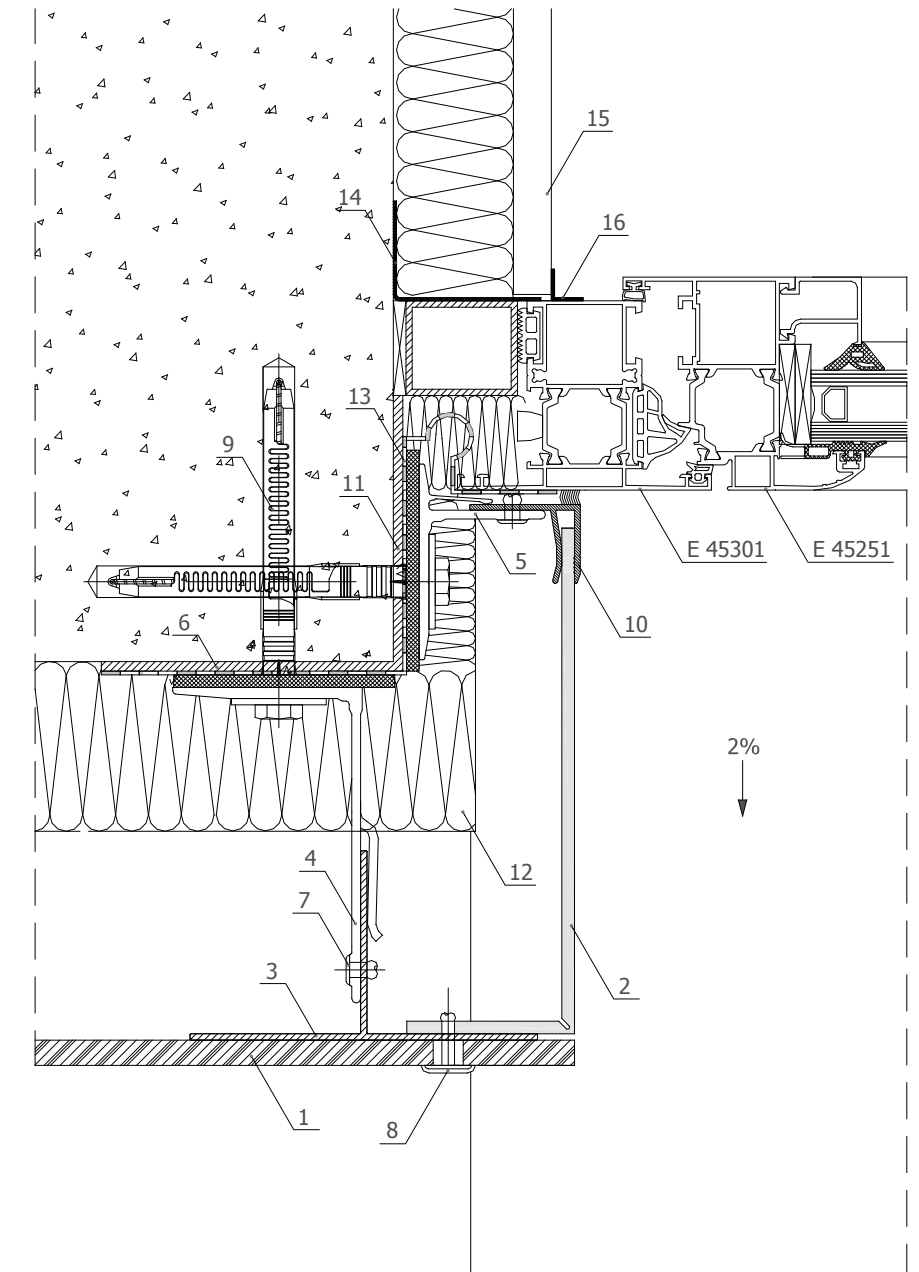
Copying and distributing any parts of the product is a violation of the copyright law.

## detail 2.1- fibrocement, HPL panels and aquapanel



1. fibrocement, HPL panels and aquapanel
2. main profile
3. fixing bracket 100mm
4. thermo-insulation pad
5. anchor
6. rivet - 4.8x12
7. rivet - 4.0x18
8. thermal insulation with black veil

## detail 3- fibrocement, HPL panels and aquapanel



1. fibrocement, HPL panels and aquapanel
2. etalbond®
3. main profile
4. fixing bracket 100mm
5. fixing bracket 40mm
6. thermo-insulation pad
7. rivet 4.8x12
8. rivet 4.0x18
9. anchor
10. F profile
11. aluminum sheet-3mm
12. thermal insulation with black veil
13. waterproofing
14. steamproofing membrane
15. plasterboard
16. decorative PVC profile

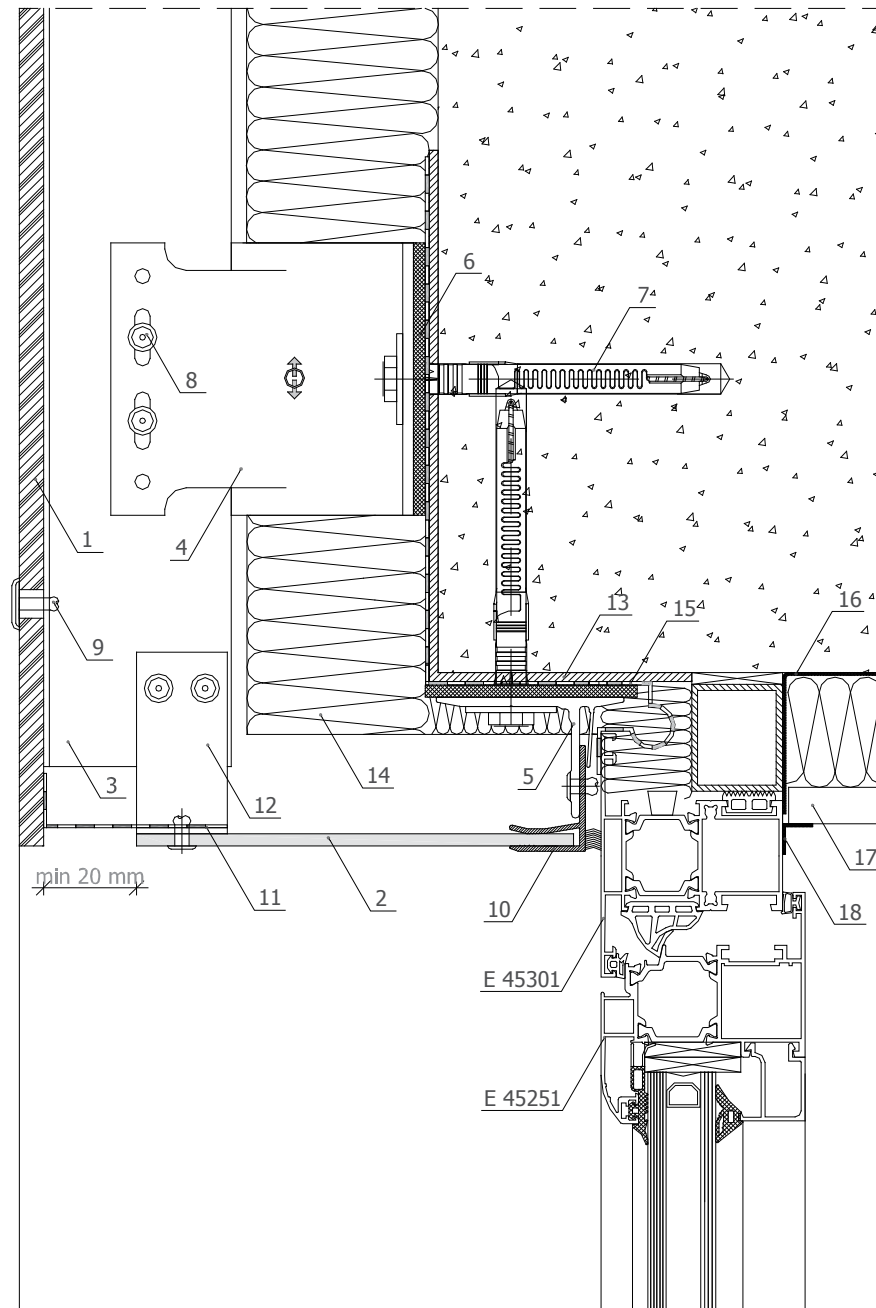
03/2010

The engineering design of this product is an intellectual property of ETEM Building Systems .  
Copying and distributing any parts of the product is a violation of the copyright law.

03/2010

The engineering design of this product is an intellectual property of ETEM Building Systems .  
Copying and distributing any parts of the product is a violation of the copyright law.

## detail 4 - fibrocement, HPL panels and aquapanel

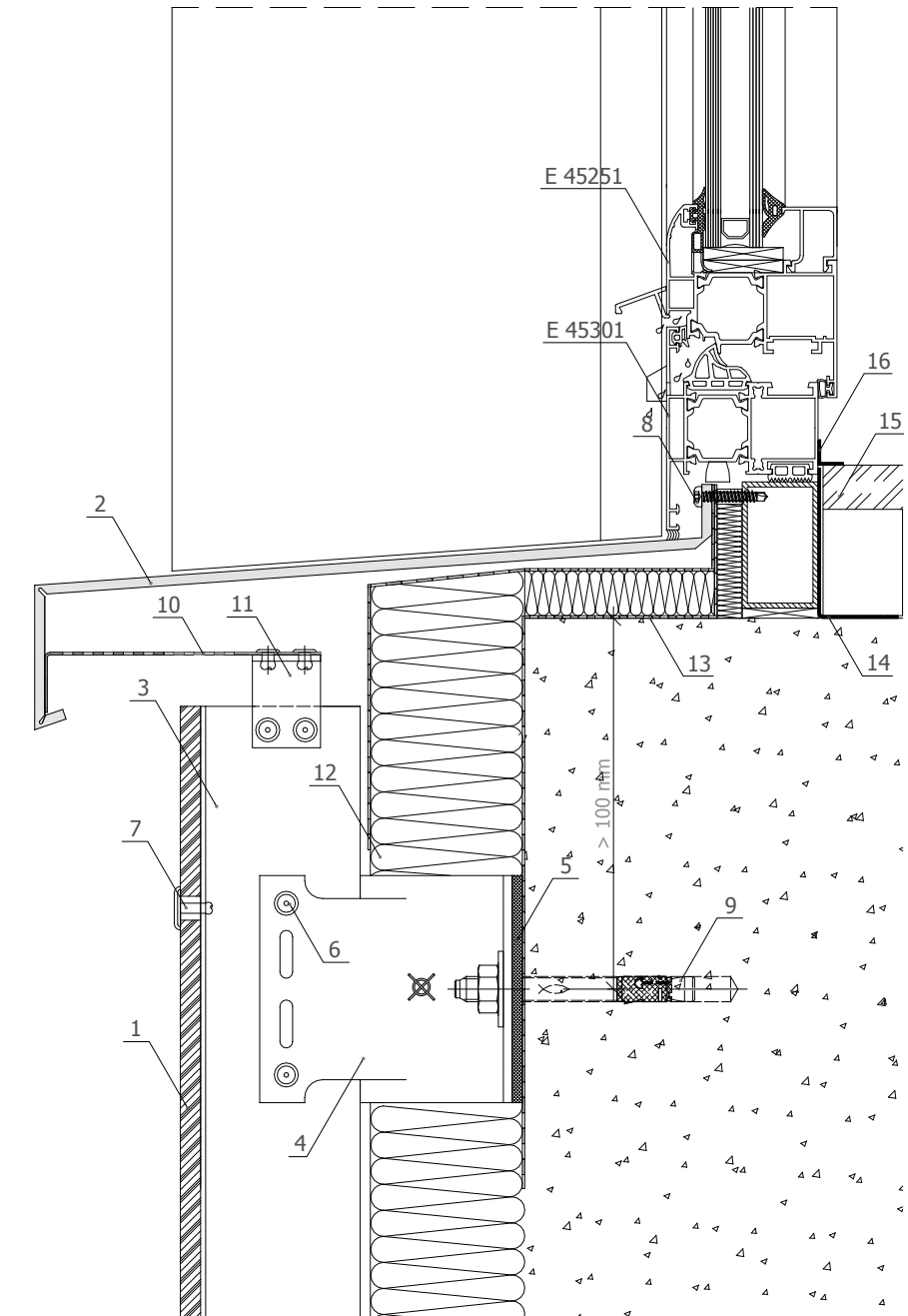


1. fibrocement, HPL panels and aquapanel
2. etalbond®
3. main profile
4. fixing bracket 100mm
5. fixing bracket 40mm
6. thermo-insulation pad
7. rivet 4.8x12
8. rivet 4.0x18
9. plug
10. F profile
11. perforated metal sheet
12. L profile
13. aluminum sheet - 3mm
14. thermal insulation
15. waterproofing
16. steamproofing membrane
17. plasterboard
18. decorative PVC profile

03/2010

The engineering design of this product is an intellectual property of ETEM Building Systems .  
Copying and distributing any parts of the product is a violation of the copyright law.

## detail 5 - fibrocement, HPL panels and aquapanel

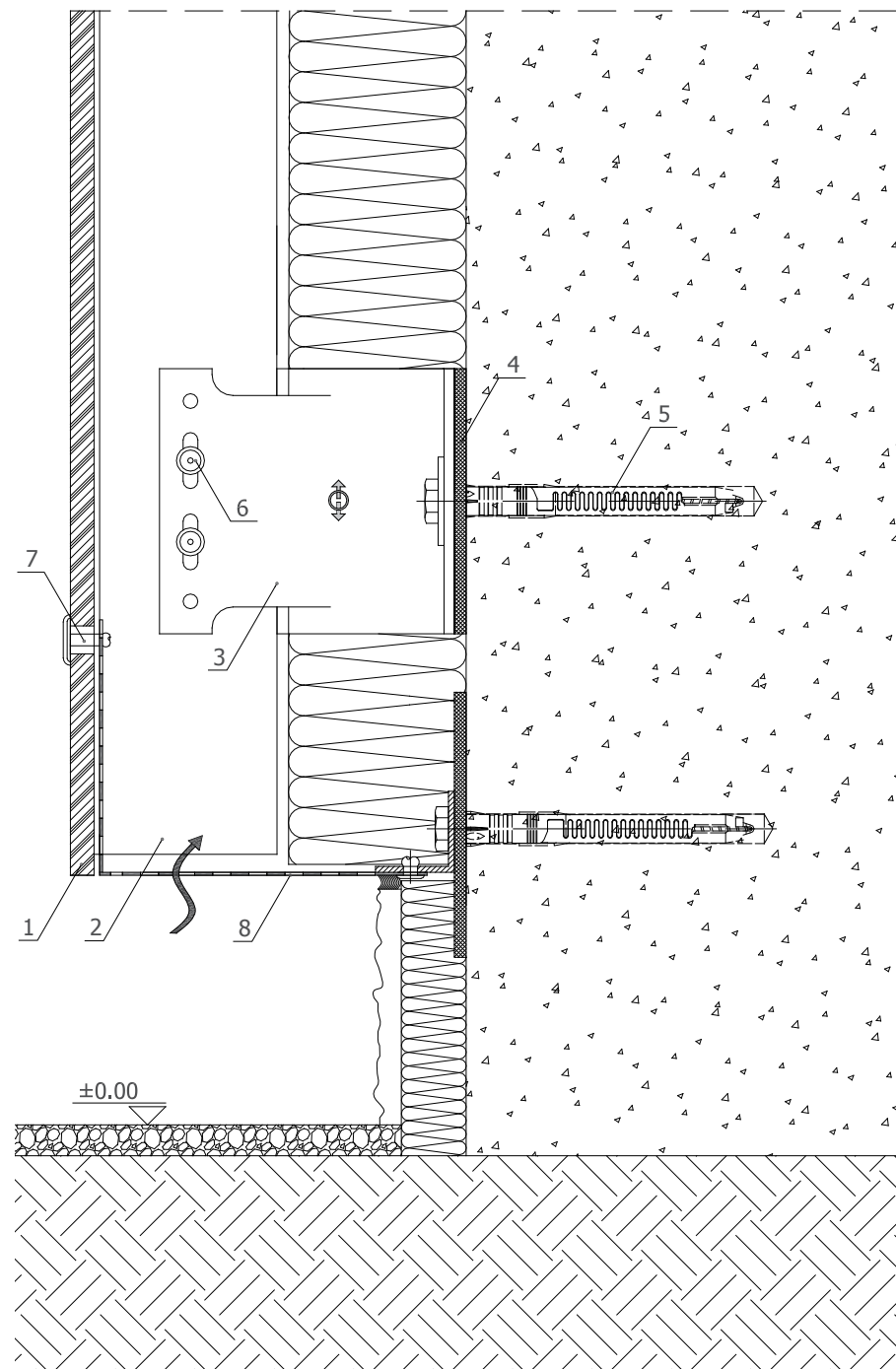


1. fibrocement, HPL panels and aquapanel
2. etalbond®
3. main profile
4. fixing bracket 100mm
5. thermo-insulation pad
6. rivet 4.8x12
7. rivet 4.0x18
8. self drilling screw - 4.2x26
9. anchor
10. perforated metal sheet
11. L profile
12. thermal insulation
13. waterproofing
14. steamproofing membrane
15. drip sill
16. decorative PVC profile

03/2010

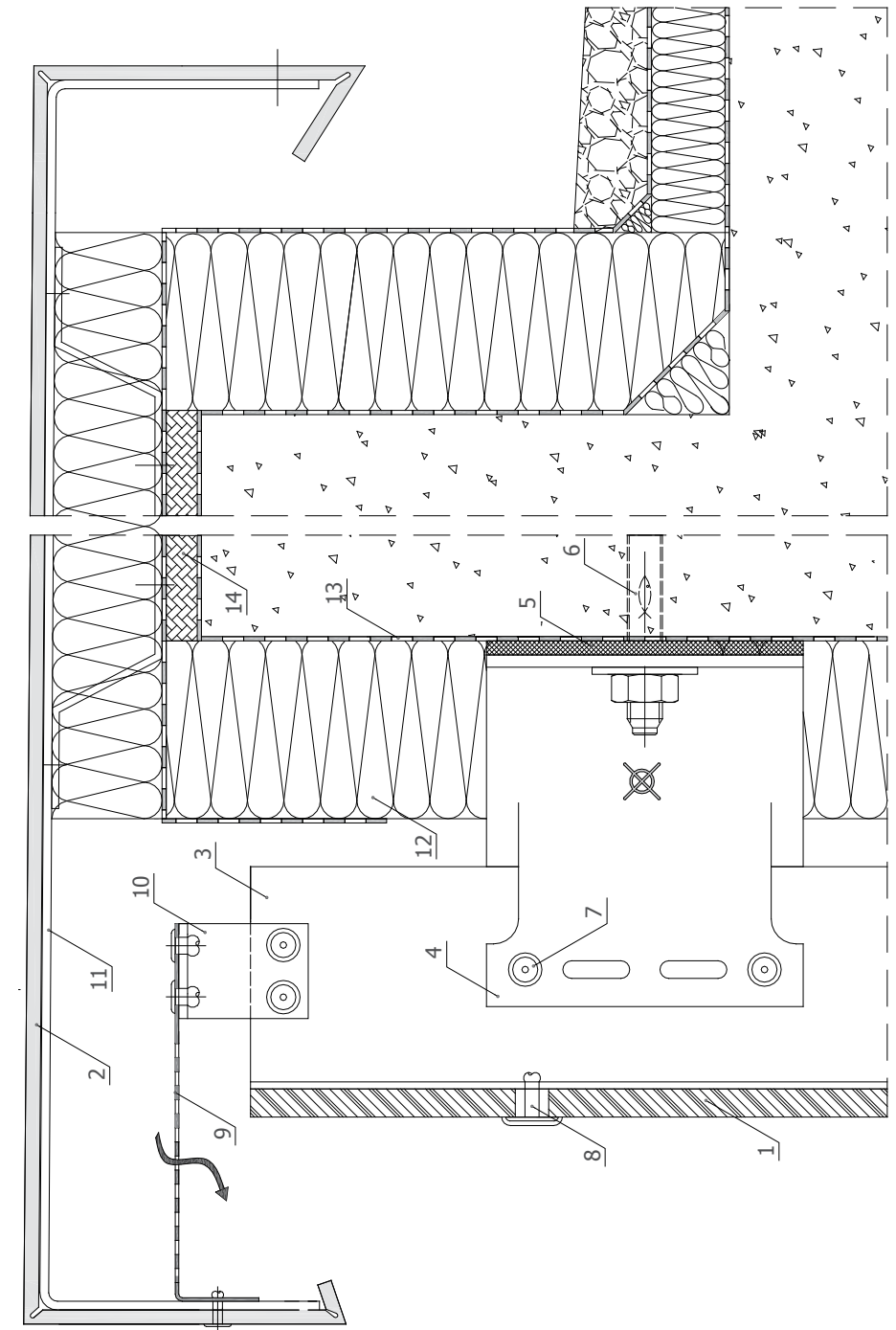
The engineering design of this product is an intellectual property of ETEM Building Systems .  
Copying and distributing any parts of the product is a violation of the copyright law.

## detail 6 - fibrocement, HPL panels and aquapanel



1. fibrocement, HPL panels and aquapanel
2. main profile
3. fixing bracket 100mm
4. thermo-insulation pad
5. anchor
6. rivet - 4.8x12
7. rivet - 4.0x18
8. perforated metal sheet
9. thermal insulation with black veil

## detail 7 - fibrocement, HPL panels and aquapanel



1. fibrocement, HPL panels and aquapanel
2. etalbond®
3. main profile
4. fixing bracket 100mm
5. thermo-insulation pad
6. anchor
7. rivet 4.8x12
8. rivet 4.0x18
9. perforated metal sheet
10. L profile
11. aluminum sheet - 3mm
12. thermal insulation
13. waterproofing
14. plywood

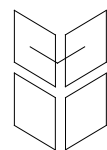
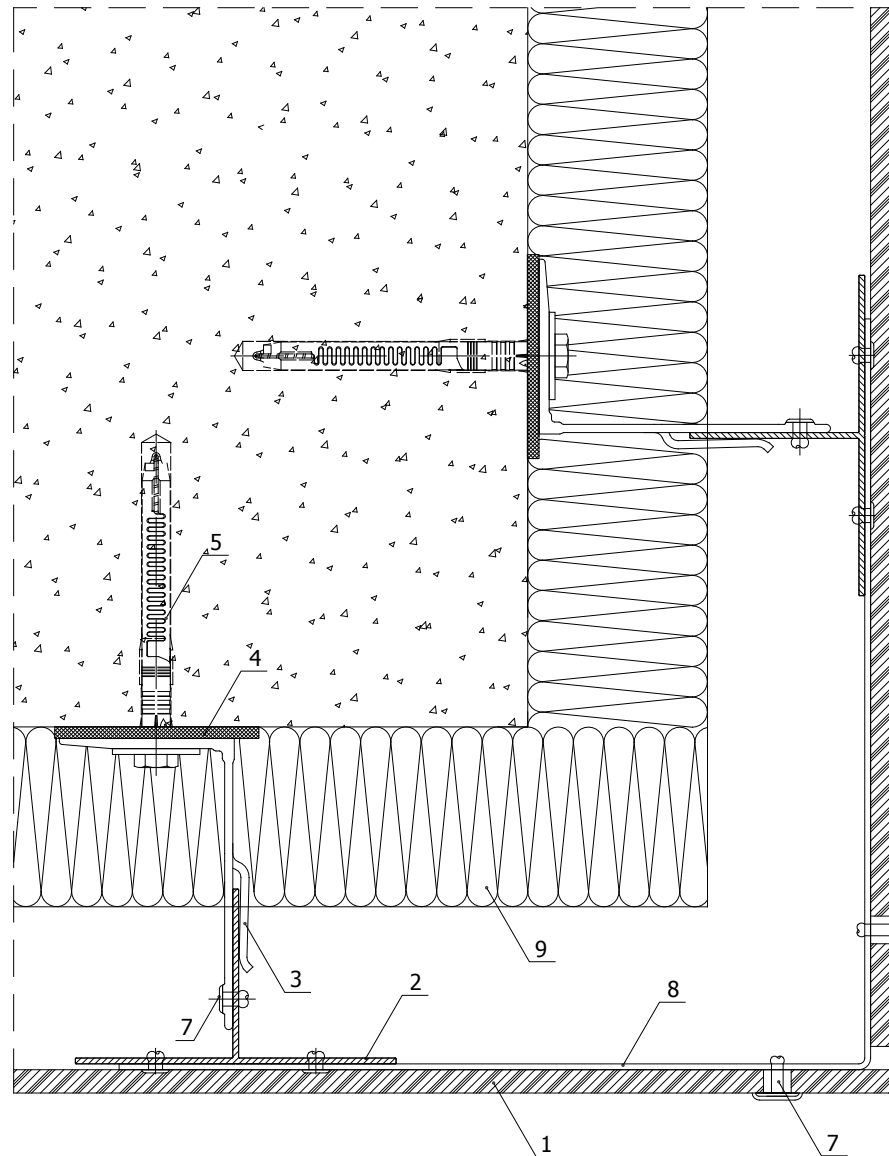
03/2010

The engineering design of this product is an intellectual property of ETEM Building Systems .  
Copying and distributing any parts of the product is a violation of the copyright law.

03/2010

The engineering design of this product is an intellectual property of ETEM Building Systems .  
Copying and distributing any parts of the product is a violation of the copyright law.

## detail 8 - fibrocement, HPL panels and aquapanel



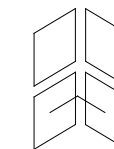
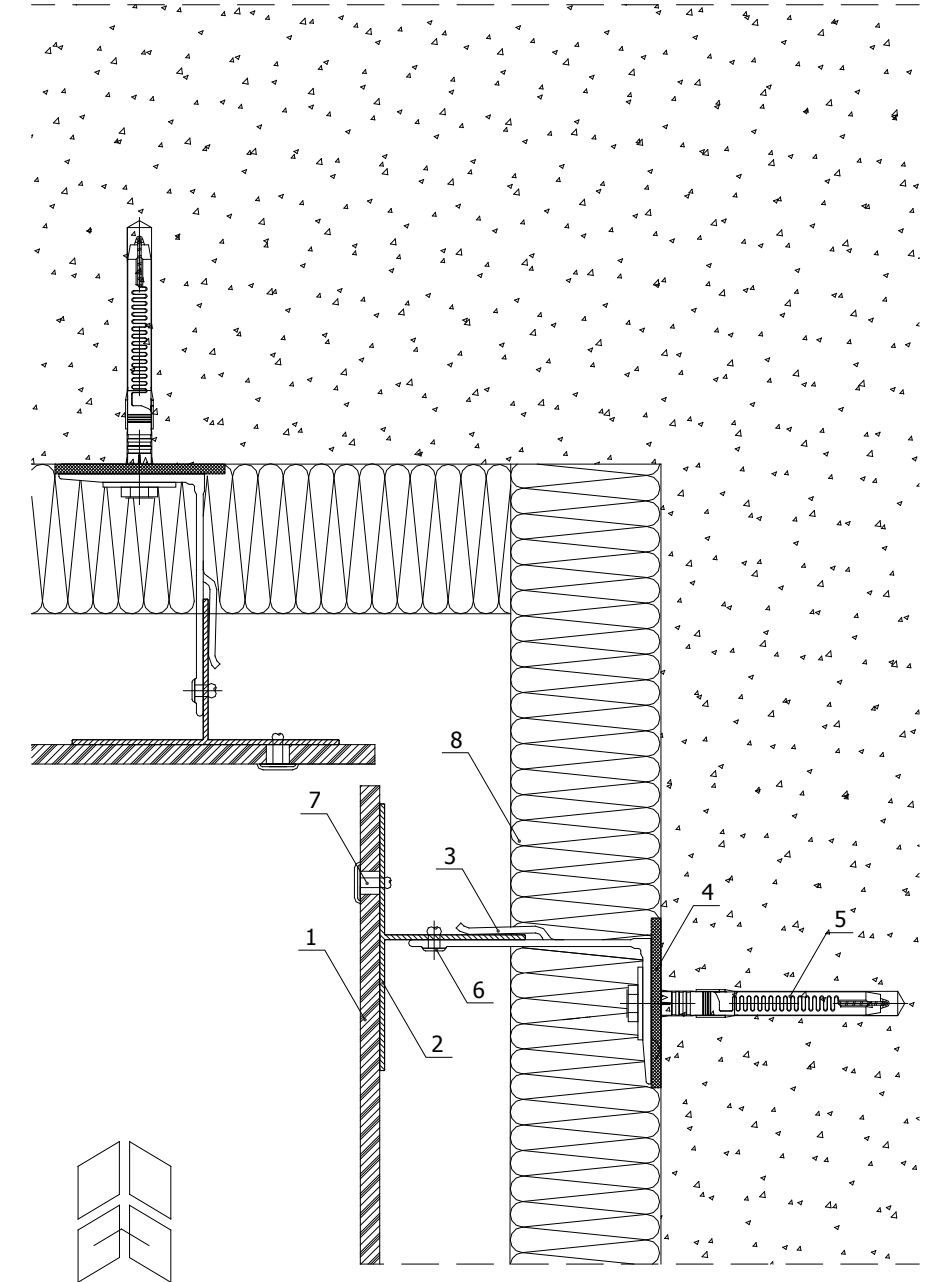
1. fibrocement, HPL panels and aquapanel
2. main profile
3. fixing bracket 100mm
4. thermo-insulation pad
5. anchor
6. rivet - 4.8x12
7. rivet - 4.0x18
8. aluminum sheet - 3mm
9. thermal insulation with black veil

03/2010

The engineering design of this product is an intellectual property of ETEM Building Systems .  
Copying and distributing any parts of the product is a violation of the copyright law.

1. fibrocement, HPL panels and aquapanel
2. main profile
3. fixing bracket 100mm
4. thermo-insulation pad
5. anchor
6. rivet - 4.8x12
7. rivet - 4.0x18
8. thermal insulation with black veil

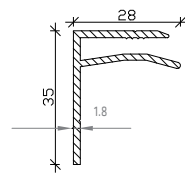
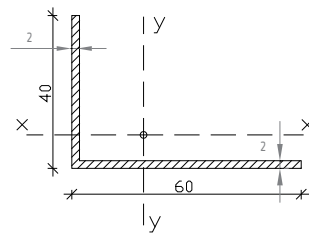
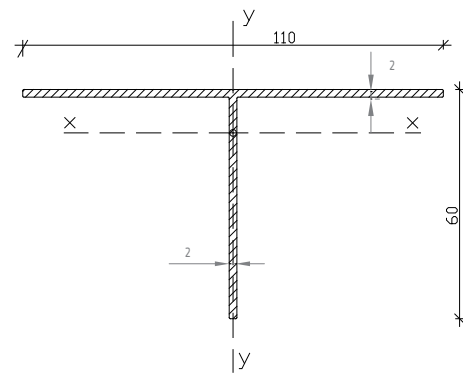
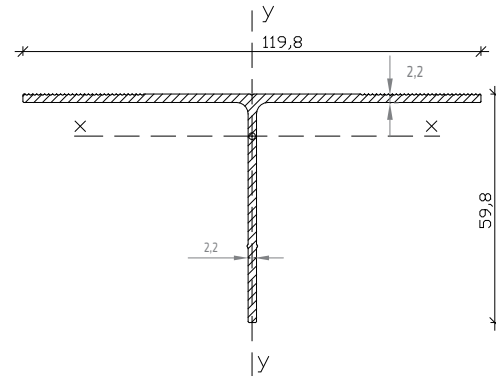
## detail 9 - fibrocement, HPL panels and aquapanel



03/2010

The engineering design of this product is an intellectual property of ETEM Building Systems .  
Copying and distributing any parts of the product is a violation of the copyright law.

# main profile



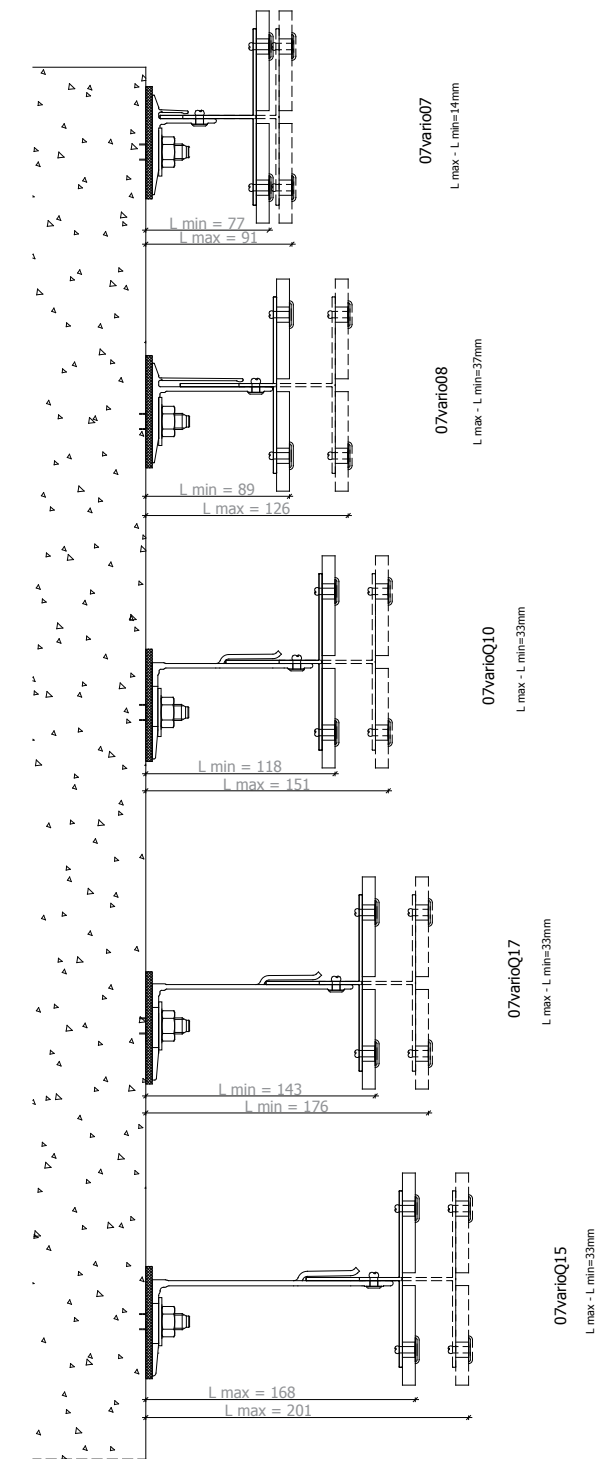
Profile 33633  
 Weight - 1039g/m  
 $I_x = 11.09 \text{ cm}^4$   
 $W_x = 2.27 \text{ cm}^3$   
 $I_y = 29.62 \text{ cm}^4$   
 $W_y = 4.94 \text{ cm}^3$   
 $A = 3.84 \text{ cm}^2$

Profile 33548  
 Weight - 906.9g/m  
 $I_x = 10.06 \text{ cm}^4$   
 $W_x = 1.83 \text{ cm}^3$   
 $I_y = 22.16 \text{ cm}^4$   
 $W_y = 4.62 \text{ cm}^3$   
 $A = 3.35 \text{ cm}^2$

Profile 10645  
 Weight 529g/m  
 $I_x = 2.78 \text{ cm}^4$   
 $W_x = 0.89 \text{ cm}^3$   
 $I_y = 7.51 \text{ cm}^4$   
 $W_y = 1.82 \text{ cm}^3$   
 $A = 1.96 \text{ cm}^2$

Profile 31064  
 Weight - 392 g/m

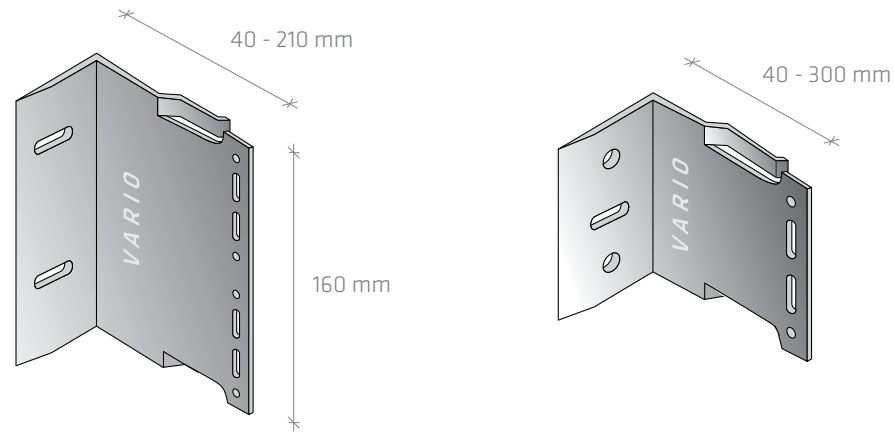
# mounting distance from the construction base of T profile - 33548



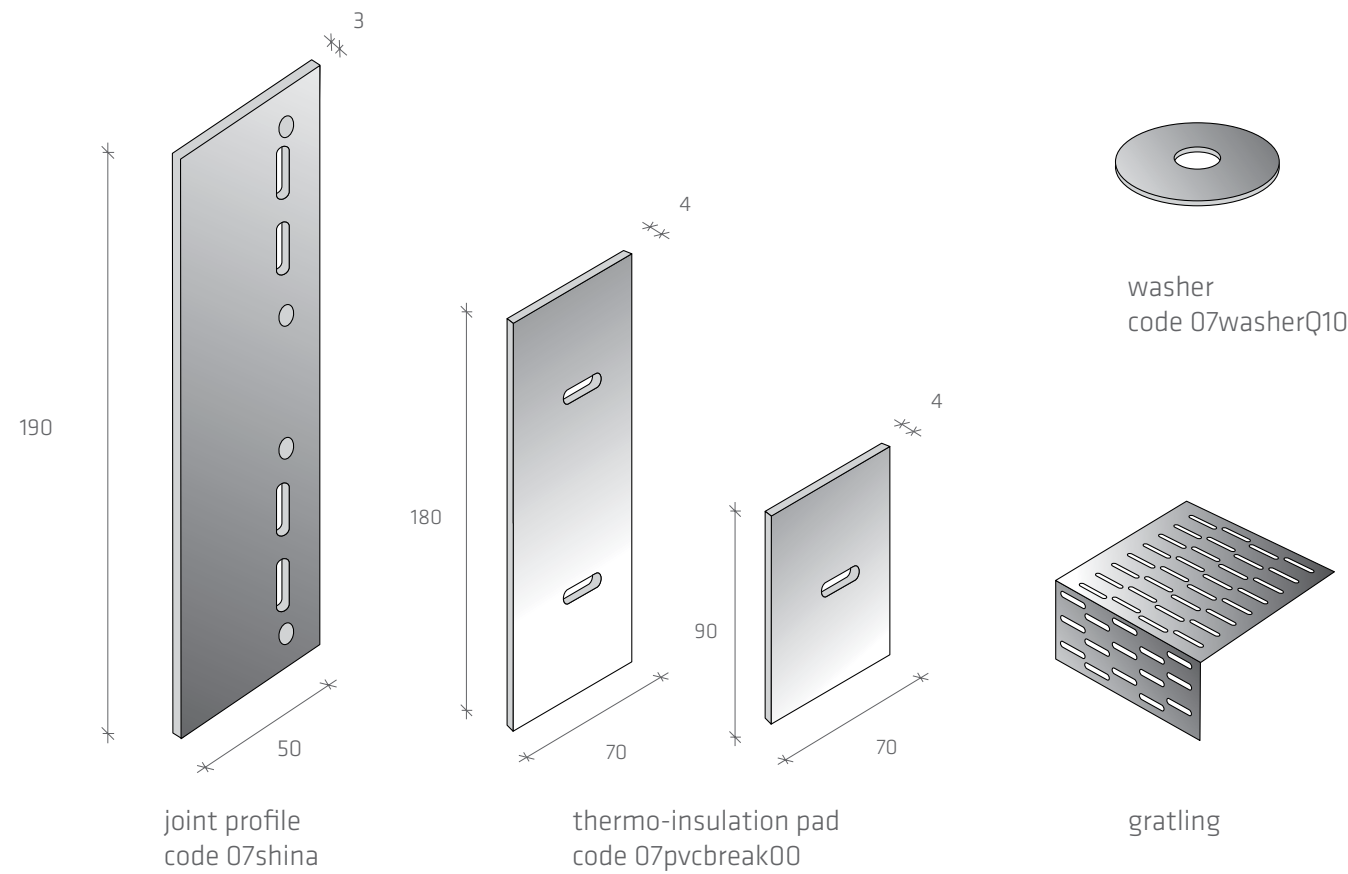
03/2010  
 \* The main supporting profiles should be painted or overlapped with a black strip.  
 \* It is recommended to cover the thermal insulation with a black veil.  
 The engineering design of this product is an intellectual property of ETEM Building Systems .  
 Copying and distributing any parts of the product is a violation of the copyright law.

03/2010  
 The engineering design of this product is an intellectual property of ETEM Building Systems.  
 Copying and distributing any parts of the product is a violation of the copyright law.

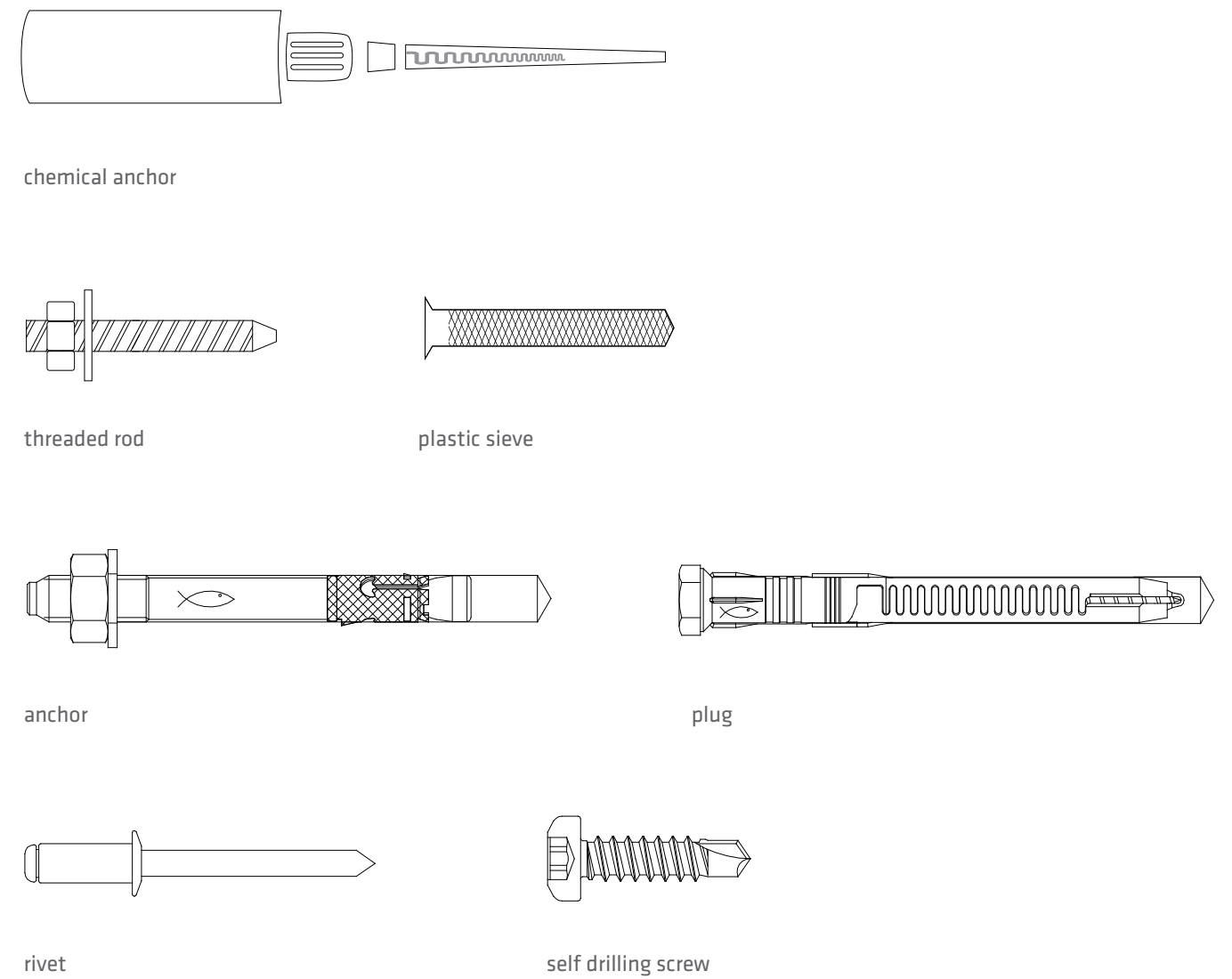
# fixing bracket



# accessories



# fastening elements



03/2010

The engineering design of this product is an intellectual property of ETEM Building Systems .  
Copying and distributing any parts of the product is a violation of the copyright law.



03/2010

The engineering design of this product is an intellectual property of ETEM Building Systems.  
Copying and distributing any parts of the product is a violation of the copyright law.

